

O N E

Introduction

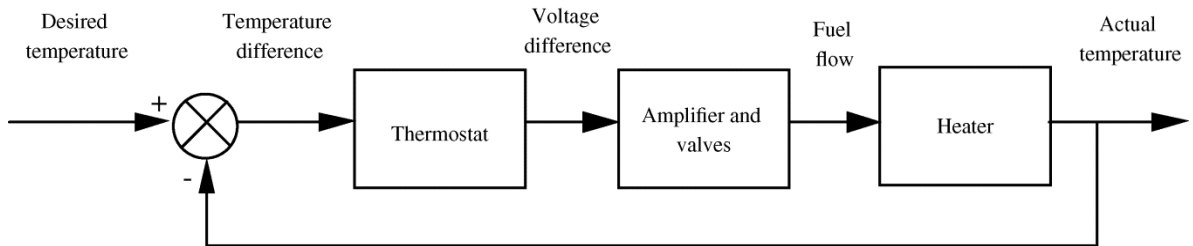
ANSWERS TO REVIEW QUESTIONS

1. Guided missiles, automatic gain control in radio receivers, satellite tracking antenna
2. Yes - power gain, remote control, parameter conversion; No - Expense, complexity
3. Motor, low pass filter, inertia supported between two bearings
4. Closed-loop systems compensate for disturbances by measuring the response, comparing it to the input response (the desired output), and then correcting the output response.
5. Under the condition that the feedback element is other than unity
6. Actuating signal
7. Multiple subsystems can time share the controller. Any adjustments to the controller can be implemented with simply software changes.
8. Stability, transient response, and steady-state error
9. Steady-state, transient
10. It follows a growing transient response until the steady-state response is no longer visible. The system will either destroy itself, reach an equilibrium state because of saturation in driving amplifiers, or hit limit stops.
11. Natural response
12. Determine the transient response performance of the system.
13. Determine system parameters to meet the transient response specifications for the system.
14. True
15. Transfer function, state-space, differential equations
16. Transfer function - the Laplace transform of the differential equation
State-space - representation of an nth order differential equation as n simultaneous first-order differential equations
Differential equation - Modeling a system with its differential equation

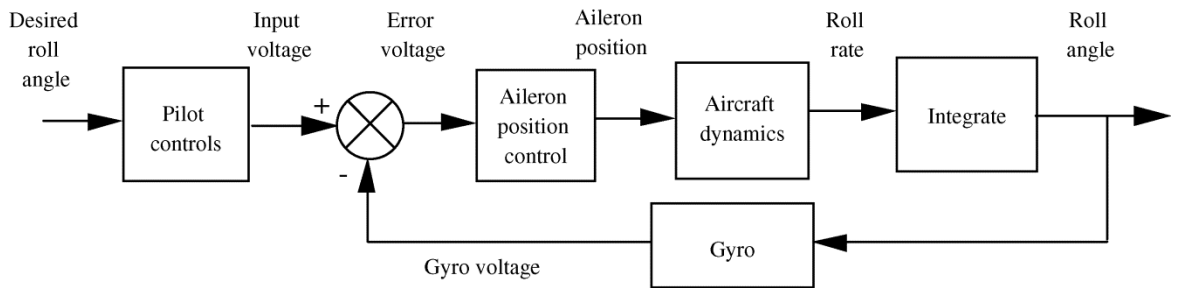
SOLUTIONS TO PROBLEMS

1. Five turns yields 50 v. Therefore $K = \frac{50 \text{ volts}}{5 \times 2\pi \text{ rad}} = 1.59$

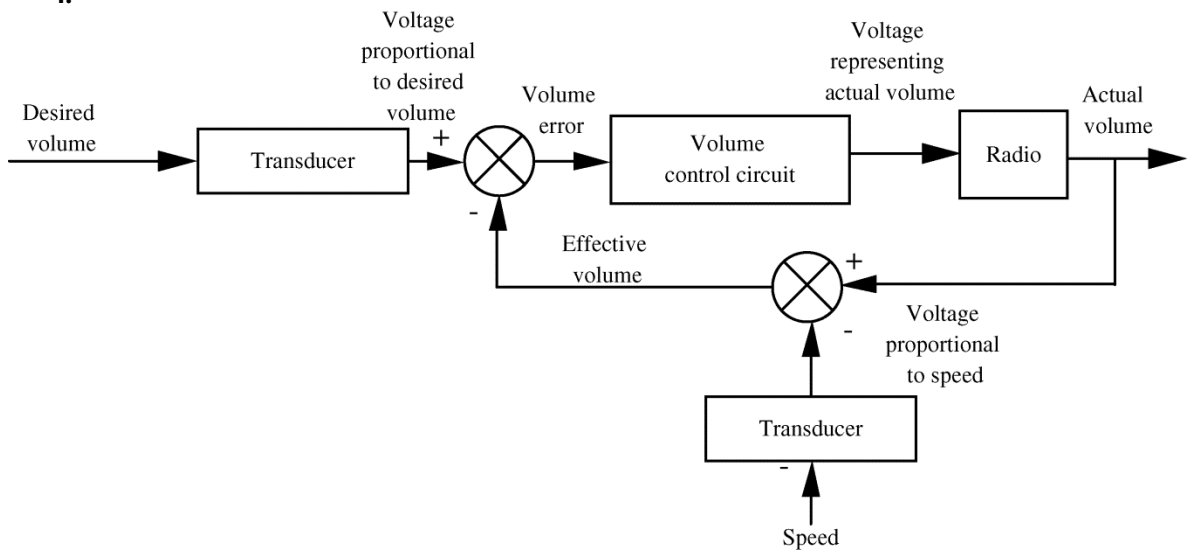
2.



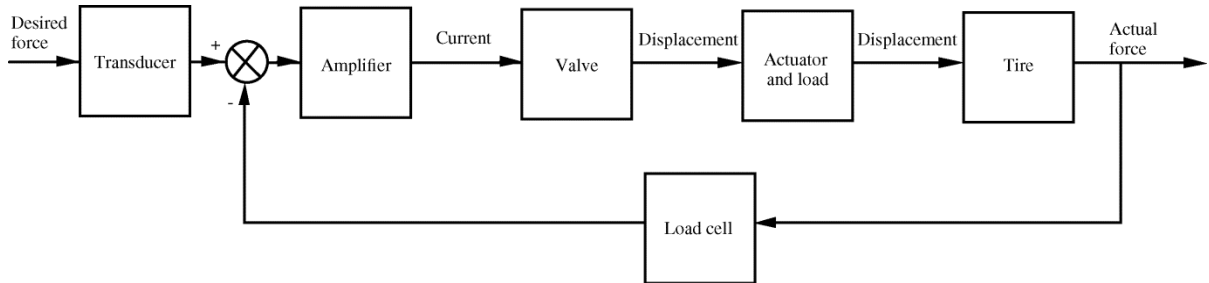
3.



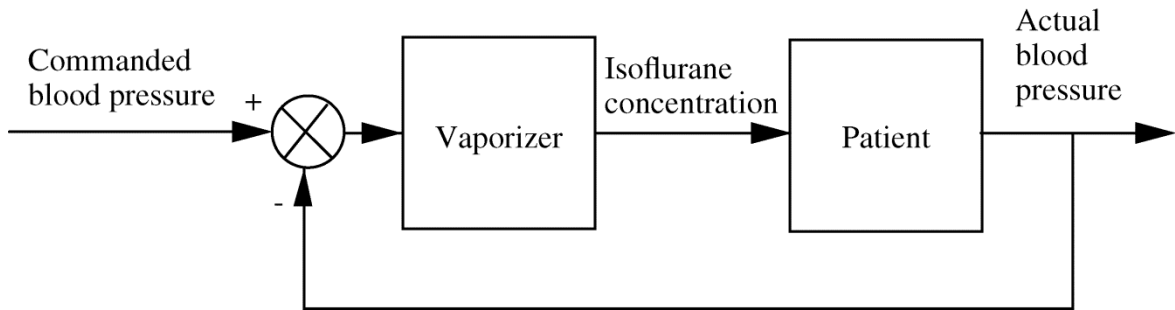
4.



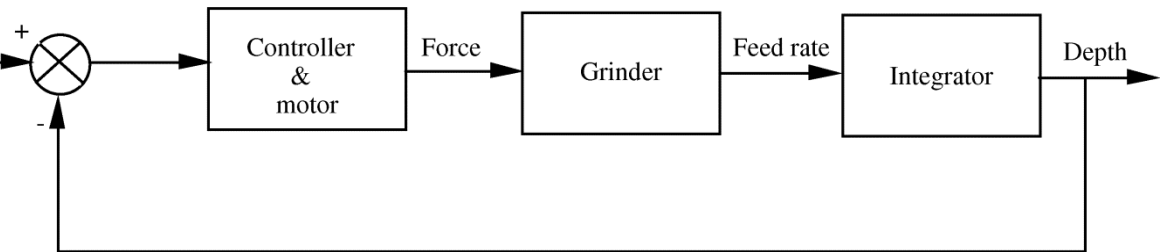
5.



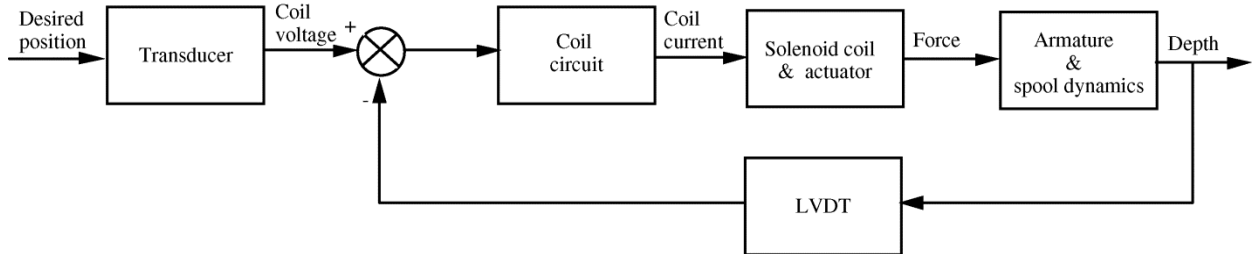
6.



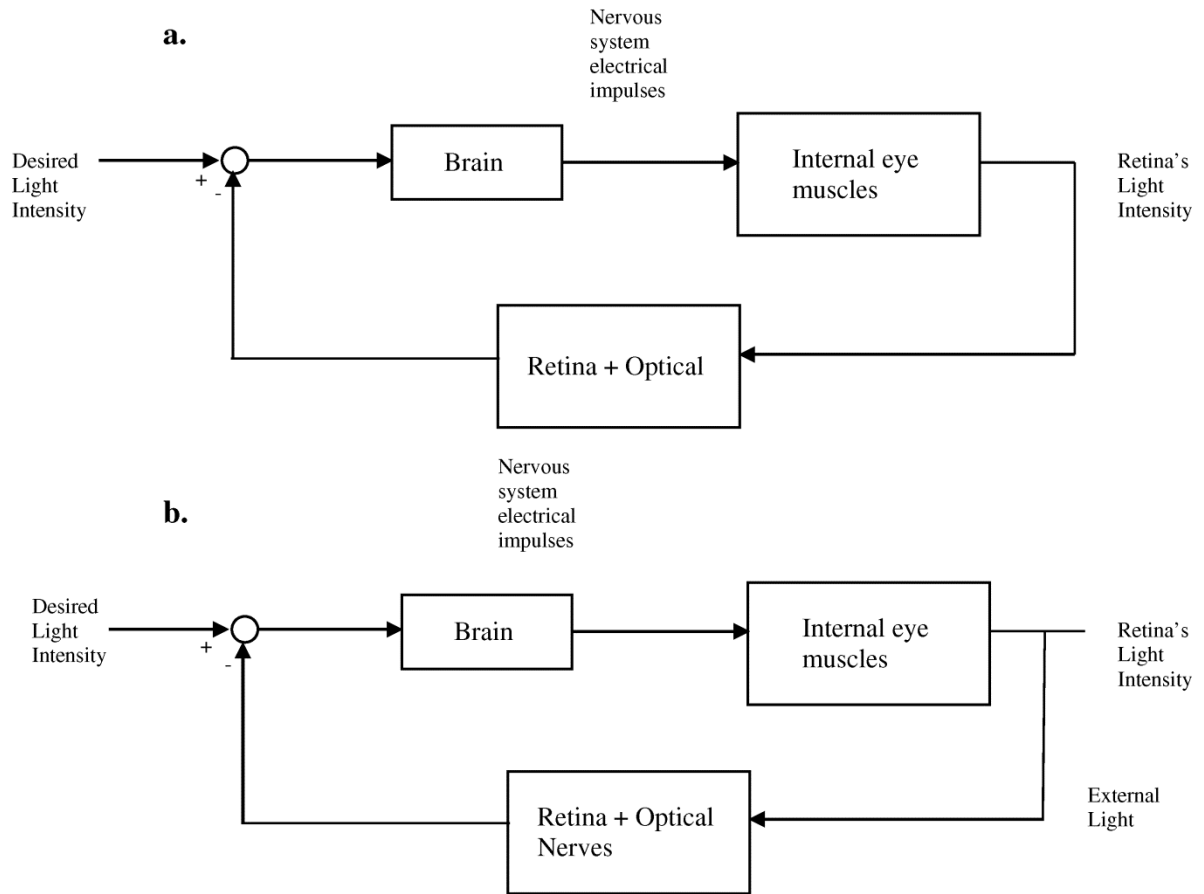
7.
Desired depth



8.



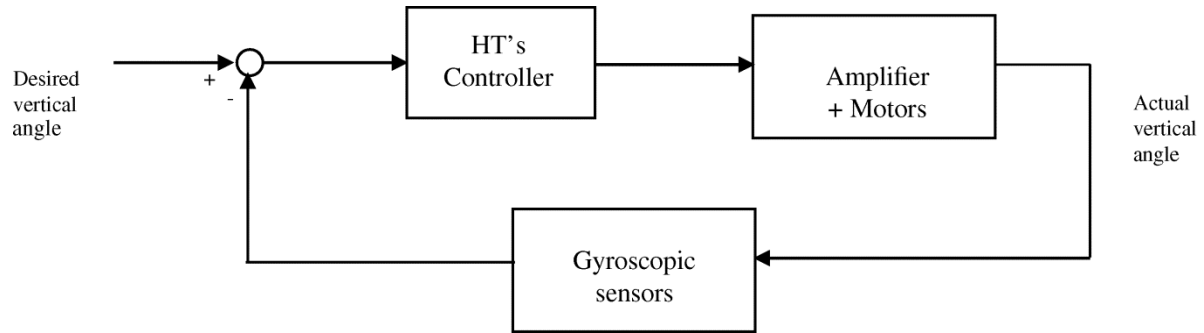
9.



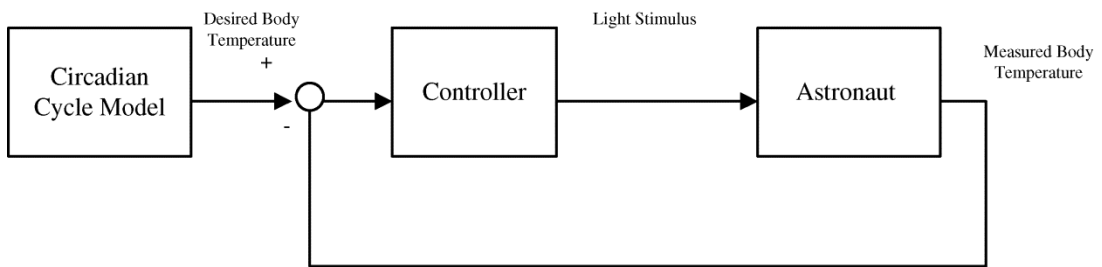
If the narrow light beam is modulated sinusoidally the pupil's diameter will also vary sinusoidally (with a delay see part c) in problem)

- c. If the pupil responded with no time delay the pupil would contract only to the point where a small amount of light goes in. Then the pupil would stop contracting and would remain with a fixed diameter.

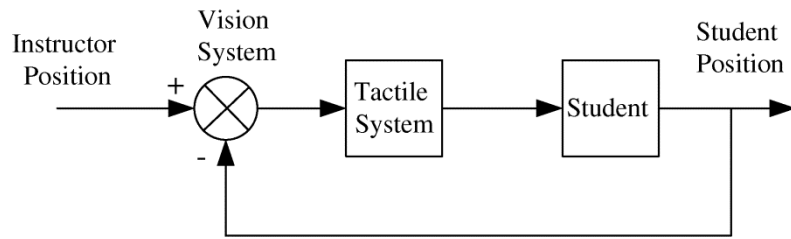
10.



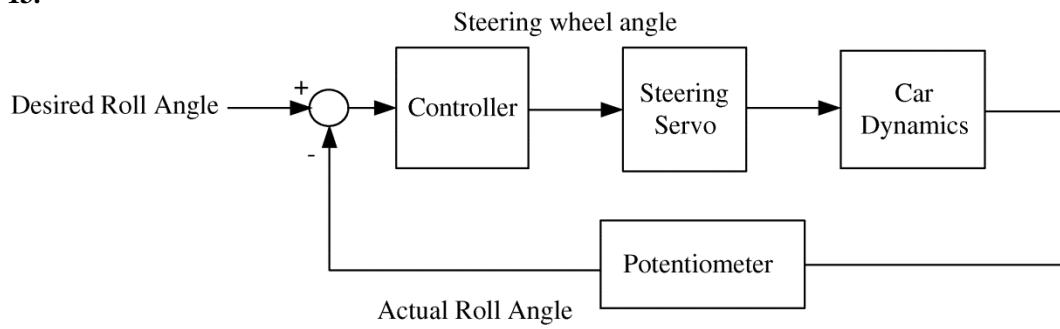
11.



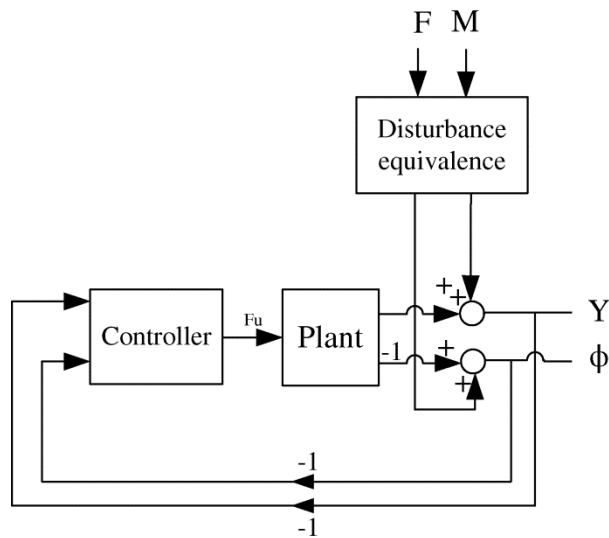
12.



13.

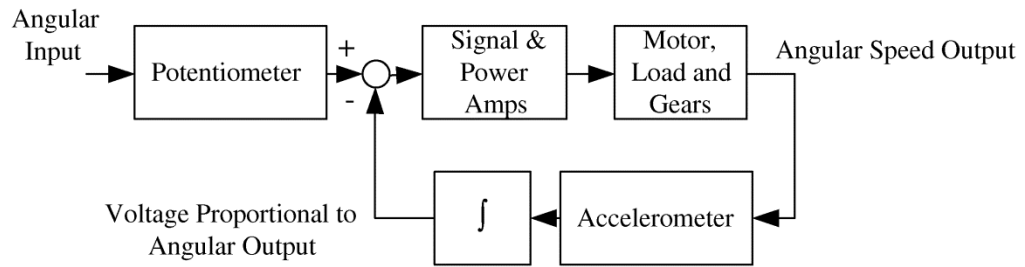


14.

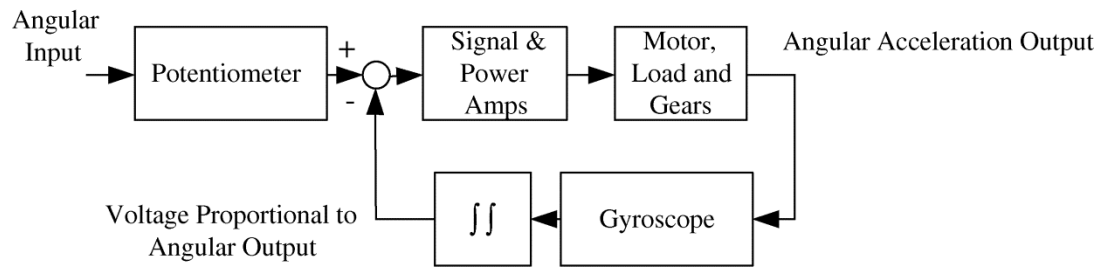


15.

a.

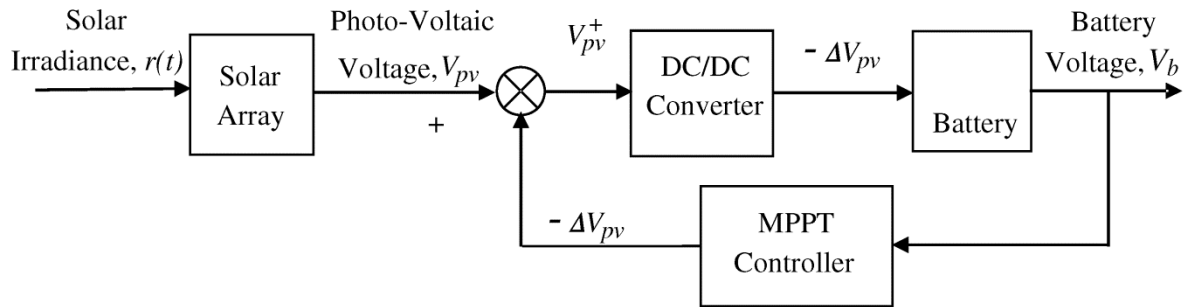


b.

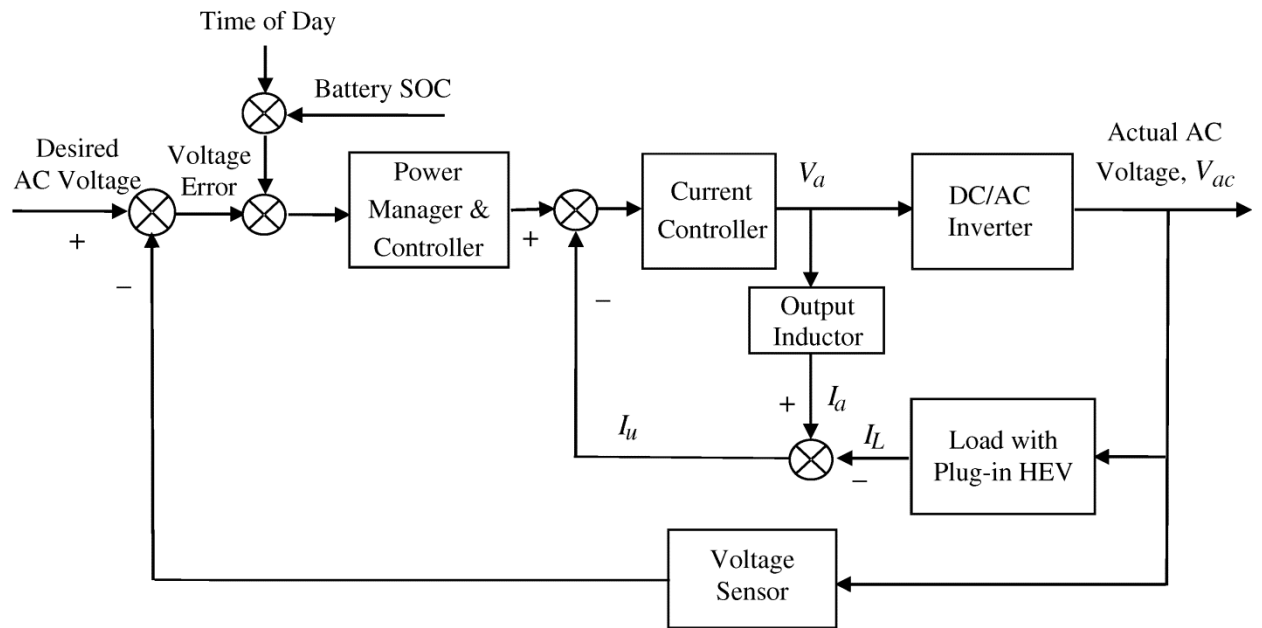


16.

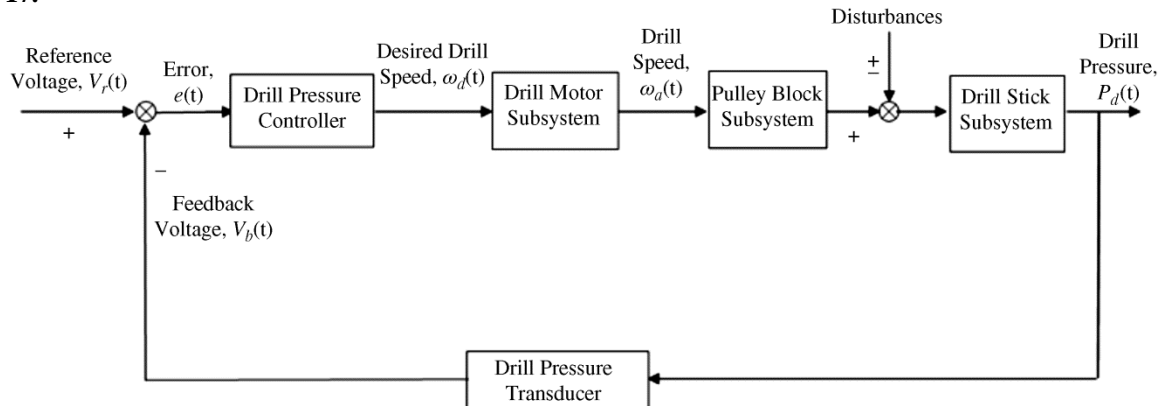
a.



b.



17.



18.

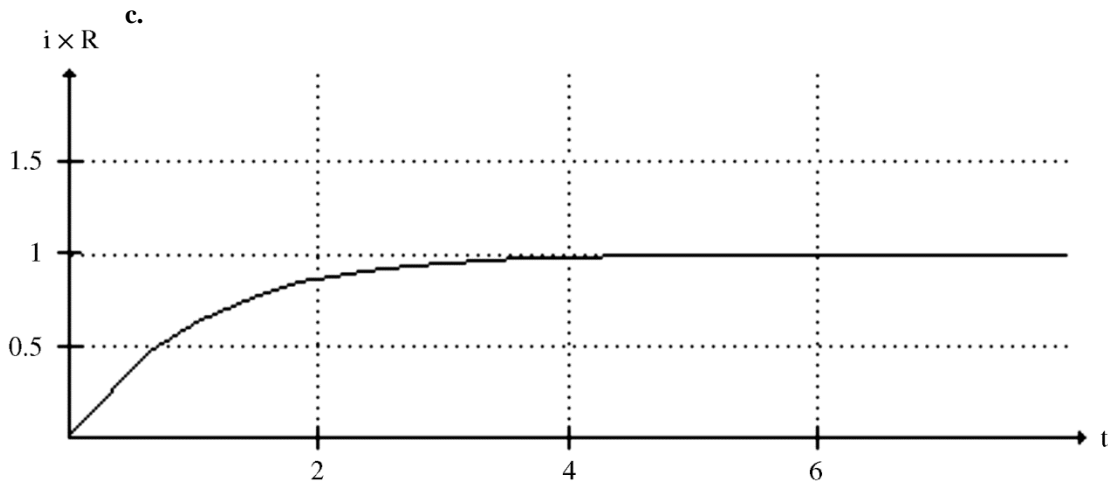
a. $L \frac{di}{dt} + Ri = u(t)$

b. Assume a steady-state solution $i_{ss} = B$. Substituting this into the differential equation yields $RB = 1$,

from which $B = \frac{1}{R}$. The characteristic equation is $LM + R = 0$, from which $M = -\frac{R}{L}$. Thus, the total

solution is $i(t) = Ae^{-(R/L)t} + \frac{1}{R}$. Solving for the arbitrary constants, $i(0) = A + \frac{1}{R} = 0$. Thus, $A =$

$-\frac{1}{R}$. The final solution is $i(t) = \frac{1}{R} - \frac{1}{R}e^{-(R/L)t} = \frac{1}{R}(1 - e^{-(R/L)t})$.



19.

a. Writing the loop equation, $Ri + L \frac{di}{dt} + \frac{1}{C} \int i dt + v_c(0) = v(t)$

b. Differentiating and substituting values, $\frac{d^2i}{dt^2} + 2\frac{di}{dt} + 16i = 0$

Writing the characteristic equation and factoring,

$$M^2 + 2M + 16 = (M + 1 + \sqrt{15}i)(M + 1 - \sqrt{15}i)$$

The general form of the solution and its derivative is

$$i = Ae^{-t} \cos(\sqrt{15}t) + Be^{-t} \sin(\sqrt{15}t)$$

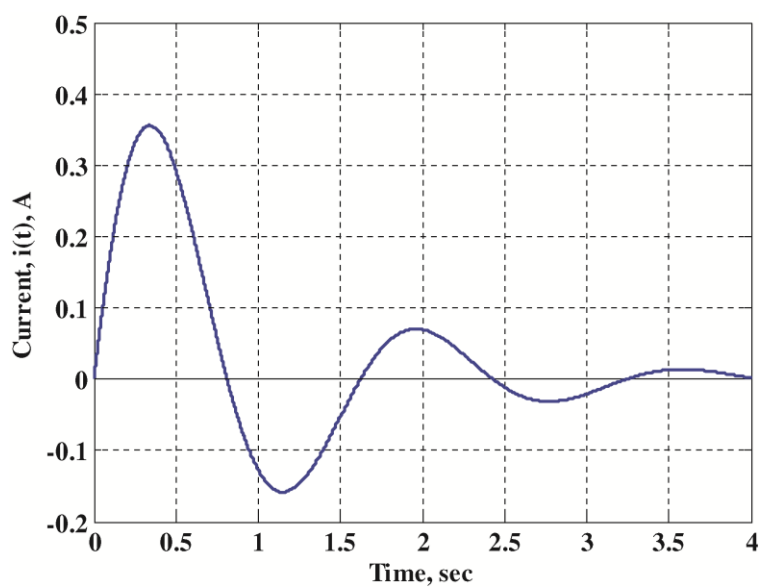
$$\frac{di}{dt} = (-A + \sqrt{15}B) e^{-t} \cos(\sqrt{15}t) - (\sqrt{15}A + B) e^{-t} \sin(\sqrt{15}t)$$

$$\text{Using } i(0) = 0; \frac{di}{dt}(0) = \frac{v_L(0)}{L} = \frac{1}{L} = 2$$

$$i(0) = A = 0 \text{ and } \frac{di}{dt}(0) = -A + \sqrt{15}B = 2 \Rightarrow B = \frac{2}{\sqrt{15}}$$

$$\text{The solution is: } i(t) = \frac{2}{15} \sqrt{15} e^{-t} \sin(\sqrt{15} t)$$

c.



20.

a. Assume a particular solution of

$$x_p(t) = C \cos(2t) + D \sin(2t)$$

Substitute into the differential equation and obtain

$$(7C + 2D) \cos(2t) + (-2C + 7D) \sin(2t) = 5 \cos(2t)$$

Equating like coefficients,

$$7C + 2D = 5$$

$$-2C + 7D = 0$$

From which, $C = \frac{35}{53}$ and $D = \frac{10}{53}$.

The characteristic polynomial is

$$M + 7 = 0$$

Thus, the total solution is

$$x(t) = A e^{-7t} + \left(\frac{35}{53} \cos[2t] + \frac{10}{53} \sin[2t] \right)$$

Solving for the arbitrary constants, $x(0) = A + \frac{35}{53} = 0$. Therefore, $A = -\frac{35}{53}$. The final solution is

$$x(t) = \left(-\frac{35}{53} \right) e^{-7t} + \left(\frac{35}{53} \cos[2t] + \frac{10}{53} \sin[2t] \right)$$

b. Assume a particular solution of

$$x_p = A \sin 3t + B \cos 3t$$

Substitute into the differential equation and obtain

$$(18A - B) \cos(3t) - (A + 18B) \sin(3t) = 5 \sin(3t)$$

Therefore, $18A - B = 0$ and $-(A + 18B) = 5$. Solving for A and B we obtain

$$x_p = (-1/65) \sin 3t + (-18/65) \cos 3t$$

The characteristic polynomial is

$$M^2 + 6M + 8 = (M + 4)(M + 2)$$

Thus, the total solution is

$$x = C e^{-4t} + D e^{-2t} + \left(-\frac{18}{65} \cos(3t) - \frac{1}{65} \sin(3t) \right)$$

Solving for the arbitrary constants, $x(0) = C + D - \frac{18}{65} = 0$.

Also, the derivative of the solution is

$$\frac{dx}{dt} = -\frac{3}{65} \cos(3t) + \frac{54}{65} \sin(3t) - 4C e^{-4t} - 2D e^{-2t}$$

Solving for the arbitrary constants, $\dot{x}(0) - \frac{3}{65} - 4C - 2D = 0$, or $C = -\frac{3}{10}$ and $D = \frac{15}{26}$.

The final solution is

$$x = -\frac{18}{65} \cos(3t) - \frac{1}{65} \sin(3t) - \frac{3}{10} e^{-4t} + \frac{15}{26} e^{-2t}$$

c. Assume a particular solution of

$$x_p = A$$

Substitute into the differential equation and obtain $25A = 10$, or $A = 2/5$.

The characteristic polynomial is

$$M^2 + 8M + 25 = (M + 4 + 3i)(M + 4 - 3i)$$

Thus, the total solution is

$$x = \frac{2}{5} + e^{-4t}(B \sin(3t) + C \cos(3t))$$

Solving for the arbitrary constants, $x(0) = C + 2/5 = 0$. Therefore, $C = -2/5$. Also, the derivative of the solution is

$$\frac{dx}{dt} = ((3B - 4C) \cos(3t) - (4B + 3C) \sin(3t)) e^{-4t}$$

Solving for the arbitrary constants, $\dot{x}(0) = 3B - 4C = 0$. Therefore, $B = -8/15$. The final solution is

$$x(t) = \frac{2}{5} - e^{-4t} \left(\frac{8}{15} \sin(3t) + \frac{2}{5} \cos(3t) \right)$$

21.

a. Assume a particular solution of

$$x_p(t) = C \cos(2t) + D \sin(2t)$$

Substitute into the differential equation and obtain

$$-2(C - 2D) \cos(2t) - 4 \left(C + \frac{1}{2} D \right) \sin(2t) = \sin(2t)$$

Equating like coefficients,

$$-2(C - 2D) = 0$$

$$-4 \left(C + \frac{1}{2} D \right) = 1$$

From which, $C = -\frac{1}{5}$ and $D = -\frac{1}{10}$.

The characteristic polynomial is

$$M^2 + 2M + 2 = (M + 1 + i)(M + 1 - i)$$

Thus, the total solution is

$$x = -\frac{1}{5} \cos(2t) - \frac{1}{10} \sin(2t) + e^{-t}(A \cos[t] + B \sin[t])$$

Solving for the arbitrary constants, $x(0) = A - \frac{1}{5} = 2$. Therefore, $A = \frac{11}{5}$. Also, the derivative of the

solution is

$$\frac{dx}{dt} = -\frac{1}{5}\cos(2t) + \frac{2}{5}\sin(2t) + (-A + B)e^{-t}\cos(t) - (A + B)e^{-t}\sin(t)$$

Solving for the arbitrary constants, $\dot{x}(0) = -A + B - 0.2 = -3$. Therefore, $B = -\frac{3}{5}$. The final solution

is

$$x(t) = -\frac{1}{5}\cos(2t) - \frac{1}{10}\sin(2t) + e^{-t}\left(\frac{11}{5}\cos(t) - \frac{3}{5}\sin(t)\right)$$

b. Assume a particular solution of

$$x_p = Ce^{-2t} + Dt + E$$

Substitute into the differential equation and obtain

$$Ce^{-2t} + Dt + 2D + E = 5e^{-2t} + t$$

Equating like coefficients, $C = 5$, $D = 1$, and $2D + E = 0$.

From which, $C = 5$, $D = 1$, and $E = -2$.

The characteristic polynomial is

$$M^2 + 2M + 1 = (M + 1)^2$$

Thus, the total solution is

$$x(t) = Ae^{-t} + Be^{-t} + 5e^{-2t} + t - 2$$

Solving for the arbitrary constants, $x(0) = A + 5 - 2 = 2$ Therefore, $A = -1$. Also, the derivative of the solution is

$$\frac{dx}{dt} = (-A + B)e^{-t} - Bte^{-t} - 10e^{-2t} + 1$$

Solving for the arbitrary constants, $\dot{x}(0) = B - 8 = 1$. Therefore, $B = 9$. The final solution is

$$x(t) = -e^{-t} + 9te^{-t} + 5e^{-2t} + t - 2$$

c. Assume a particular solution of

$$x_p = Ct^2 + Dt + E$$

Substitute into the differential equation and obtain

$$4Ct^2 + 4Dt + 2C + 4E = t^2$$

Equating like coefficients, $C = \frac{1}{4}$, $D = 0$, and $2C + 4E = 0$.

From which, $C = \frac{1}{4}$, $D = 0$, and $E = -\frac{1}{8}$.

The characteristic polynomial is

$$M^2 + 4 = (M + 2i)(M - 2i)$$

Thus, the total solution is

$$x(t) = A \cos(2t) + B \sin(2t) + \frac{1}{4}t^2 - \frac{1}{8}$$

Solving for the arbitrary constants, $x(0) = A - \frac{1}{8} = 1$ Therefore, $A = \frac{9}{8}$. Also, the derivative of the

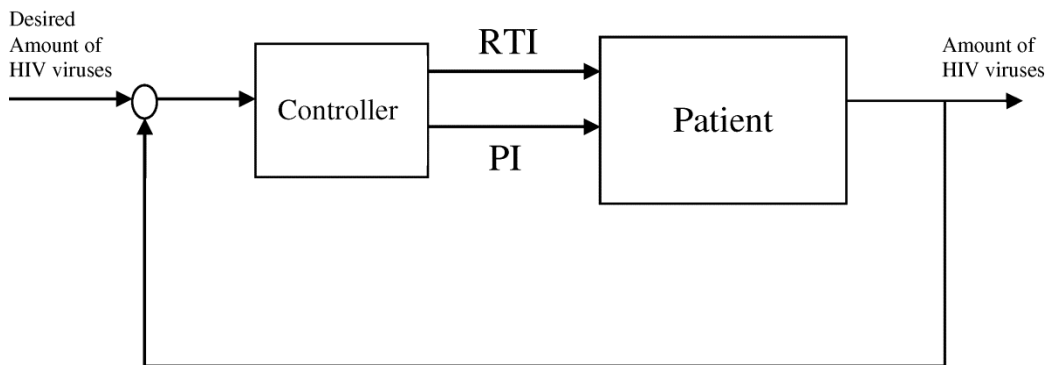
solution is

$$\frac{dx}{dt} = 2B \cos(2t) - 2A \sin(2t) + \frac{1}{2}t$$

Solving for the arbitrary constants, $\dot{x}(0) = 2B = 2$. Therefore, $B = 1$. The final solution is

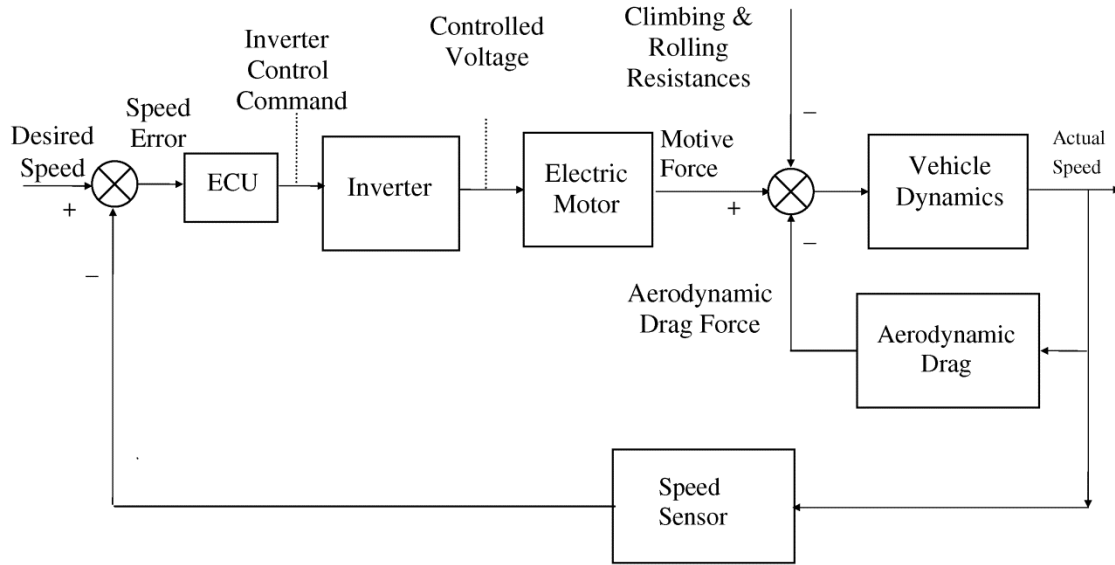
$$x(t) = \frac{9}{8} \cos(2t) + \sin(2t) + \frac{1}{4}t^2 - \frac{1}{8}$$

22.

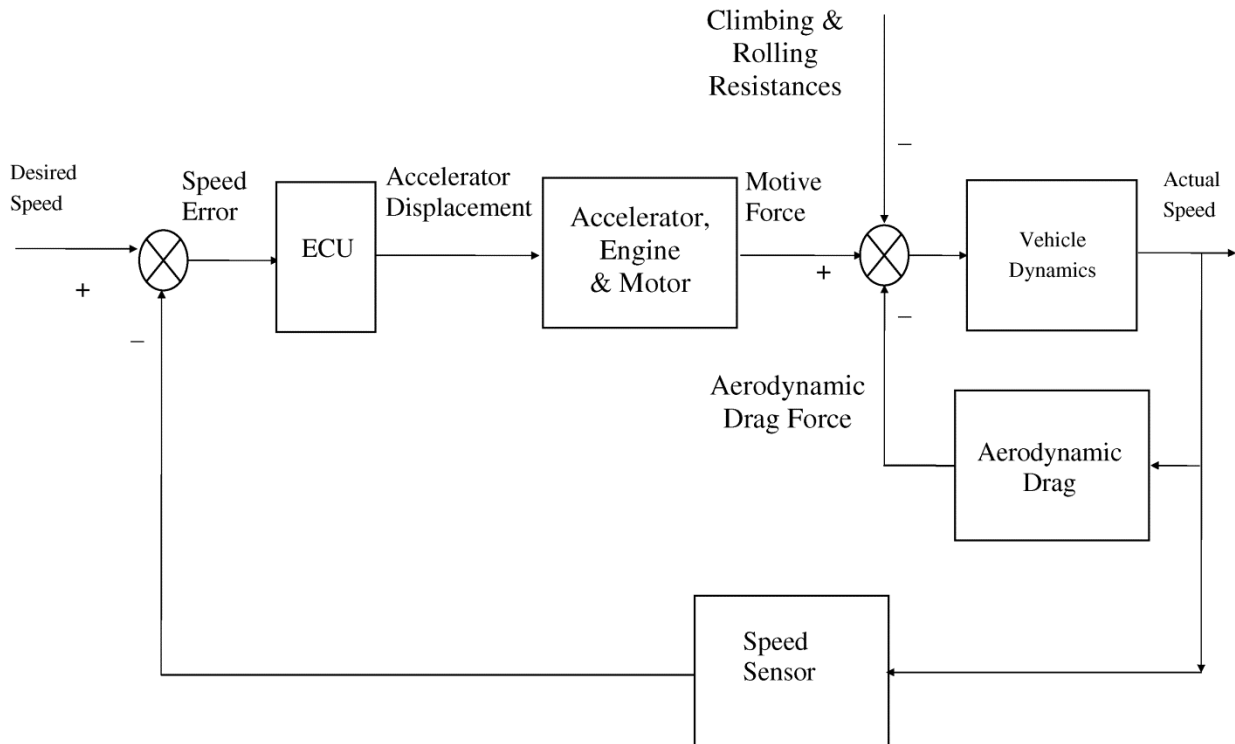


23.

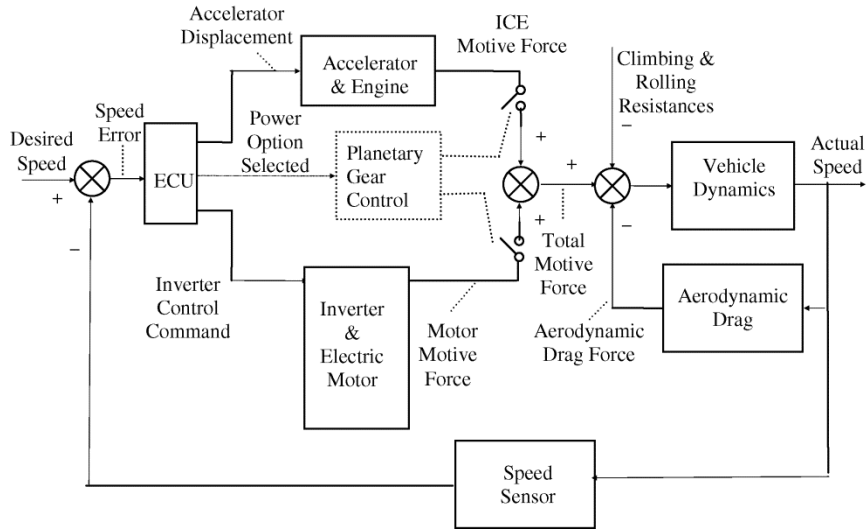
a.



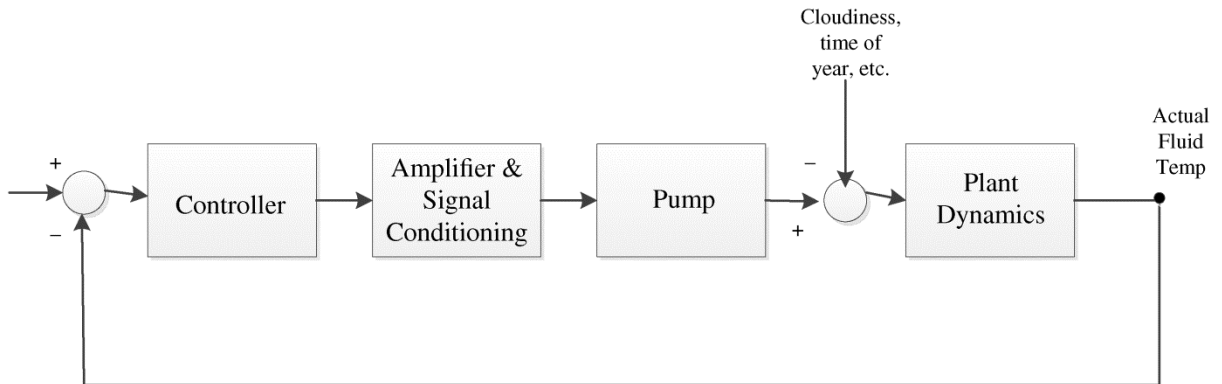
b.



c.



24.



Copyright © 2015 John Wiley & Sons, Inc. All rights reserved.

No part of this publication may be reproduced, stored in a retrieval system or transmitted in any form or by any means, electronic, mechanical, photocopying, recording, scanning or otherwise, except as permitted under Sections 107 or 108 of the 1976 United States Copyright Act, without either the prior written permission of the Publisher, or authorization through payment of the appropriate per-copy fee to the Copyright Clearance Center, Inc. 222 Rosewood Drive, Danvers, MA 01923, website www.copyright.com. Requests to the Publisher for permission should be addressed to the Permissions Department, John Wiley & Sons, Inc., 111 River Street, Hoboken, NJ 07030-5774, (201)748-6011, fax (201)748-6008, website <http://www.wiley.com/go/permissions>.

Founded in 1807, John Wiley & Sons, Inc. has been a valued source of knowledge and understanding for more than 200 years, helping people around the world meet their needs and fulfill their aspirations. Our company is built on a foundation of principles that include responsibility to the communities we serve and where we live and work. In 2008, we launched a Corporate Citizenship Initiative, a global effort to address the environmental, social, economic, and ethical challenges we face in our business. Among the issues we are addressing are carbon impact, paper specifications and procurement, ethical conduct within our business and among our vendors, and community and charitable support. For more information, please visit our website: www.wiley.com/go/citizenship.

The software programs and experiments available with this book have been included for their instructional value. They have been tested with care but are not guaranteed for any particular purpose. The publisher and author do not offer any warranties or restrictions, nor do they accept any liabilities with respect to the programs and experiments.

AMTRAK is a registered trademark of National Railroad Passenger Corporation. **Adobe** and **Acrobat** are trademarks of Adobe Systems, Inc. which may be registered in some jurisdictions. **FANUC** is a registered trademark of FANUC, Ltd. **Microsoft**, **Visual Basic**, and **PowerPoint** are registered trademarks of Microsoft Corporation. **QuickBasic** is a trademark of Microsoft Corporation. **MATLAB** and **SIMULINK** are registered trademarks of The MathWorks, Inc. **The Control System Toolbox**, **LTI Viewer**, **Root Locus Design GUI**, **Symbolic Math Toolbox**, **Simulink Control Design**, and **MathWorks** are trademarks of The MathWorks, Inc. **LabVIEW** is a registered trademark of National Instruments Corporation. **Segway** is a registered trademark of Segway, Inc. in the United States and/or other countries. **Chevrolet Volt** is a trademark of General Motors LLC. Virtual plant simulations pictured and referred to herein are trademarks or registered trademarks of Quanser Inc. and/or its affiliates. © 2010 Quanser Inc. All rights reserved. Quanser virtual plant simulations pictured and referred to herein may be subject to change without notice. **ASIMO** is a registered trademark of Honda.

Evaluation copies are provided to qualified academics and professionals for review purposes only, for use in their courses during the next academic year. These copies are licensed and may not be sold or transferred to a third party. Upon completion of the review period, please return the evaluation copy to Wiley. Return instructions and a free of charge return shipping label are available at www.wiley.com/go/returnlabel. Outside of the United States, please contact your local representative.

Library of Congress Cataloging-in-Publication Data

Nise, Norman S.

Control systems engineering / Norman S. Nise, California State Polytechnic University, Pomona. — Seventh edition.
1 online resource.

Includes bibliographical references and index.

Description based on print version record and CIP data provided by publisher; resource not viewed.

ISBN 978-1-118-80082-9 (pdf) — ISBN 978-1-118-17051-9 (cloth : alk. paper)

1. Automatic control—Textbooks. 2. Systems engineering—Textbooks. I. Title.

TJ213

629.8—dc23

2014037468

Printed in the United States of America

10 9 8 7 6 5 4 3 2 1